



**ATS-DRPMNT-UNIV1-00OP-HVD**

**Universal AP and Antenna Heavy Duty  
Versatile Drop Mount**

**Installation Guide**



# INSTALLATION GUIDE (Universal AP and Antenna Heavy Duty Versatile Drop Mount)

## Contents

Overview..... 2

Tools Required ..... 2

Installation Safety ..... 2

Parts Needed ..... 2

Installation..... 3

### Overview

This is a quick installation guide on how to install the AccelTex Heavy Duty Drop Mount. The installation goes over the steps of putting the mount together along with the access point (AP) and Antenna. Please read the entire guide before beginning. This guide assumes a PoE drop is present at the Mount location.

### Tools Required

Subject to Mounting Hardware Options

### Installation Safety

The installation of this mount may require a person to lift weight at significant heights. Be sure to use all proper personal protective equipment (PPE) and designate a work area during installation.

### Parts Needed

- (1) ATS-DRPMNT-UNIV1-OOOP-HVD
- (1) AP and Antenna (Not Provided)



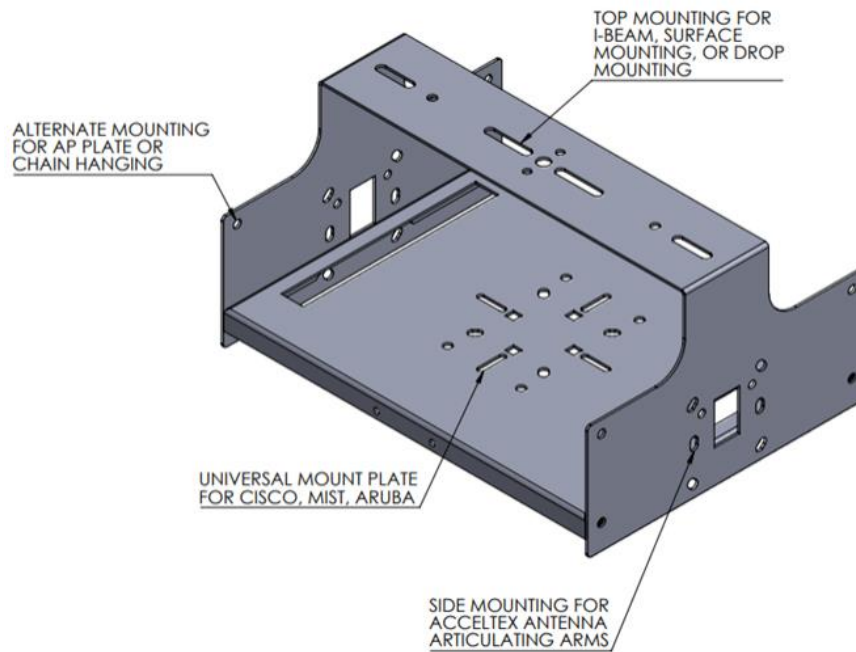
## Installation

### Inspect Mounted Conduit

Make sure the Mount placement is at the network drop location

#### *Directions*

1. Remove the mount from its package and install the selected AP and Antenna using pre-defined Mount and Antenna Articulating Arm keyholes.
2. The AccelTex Antenna Articulating Arms can be installed on both ends of the Drop Mount, see Figure 1.



*Figure 1 – Mount Exploded View*

3. Select the required hardware for the installation of Drop Mount on an I-Beam, Surface Mounting or Drop Mounting and connect the AP and Antennas to network drop.